

- Band 5, RF-Rx SAW Filter
- Revision 0: April 2014

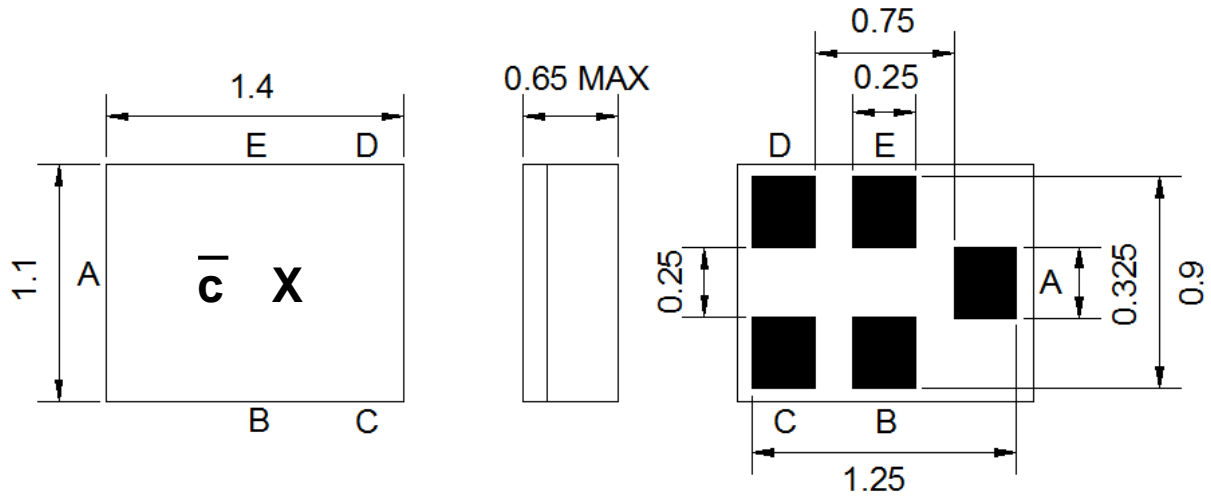
Electrical Characteristics

MAXIMUM RATING				
PARAMETERS DESCRIPTION	UNIT	MINIMUM	TYPICAL	MAXIMUM
Operating Temperature Range	°C	-30	-	+85
Storage Temperature Range	°C	-40	-	+85
Maximum DC Voltage	V	-	-	0
Maximum Input Power	dBm	-	-	10
Source Impedance (single ended)	Ω	-	50	-
Load Impedance (single ended)	Ω	-	50	-
Package type & size	C21			
Length x Width	mm ²	-	1.4 x 1.1	-
Height	mm	-	-	0.65

ELECTRICAL SPECIFICATION				
PARAMETERS DESCRIPTION	UNIT	MINIMUM	TYPICAL	MAXIMUM
Center Frequency (Fo)	MHz	-	878.0	-
Max.Insertion Loss within 862.0 ~ 894.0 MHz	dB	-	2.3	3.5
Amplitude Ripple within 862.0 ~ 894.0 MHz	dB _{p-p}	-	0.9	2.0
Return Loss within 862.0 ~ 894.0 MHz	dB	8	9.5	-
Attenuation:				
D.C. ~ 780.0 MHz	dB	40	43	-
780.0 ~ 849.0 MHz	dB	30	38	-
849.0 ~ 855.5 MHz	dB	3 ⁽¹⁾	8 ⁽¹⁾	-
855.0 MHz	dB	3	11	-
914.0 ~ 970.0 MHz	dB	20	30	-
970.0 ~ 1049.0 MHz	dB	32	37	-
1049.0 ~ 2000.0 MHz	dB	20	25	-

Notes: (1) at room temperature(25°C)

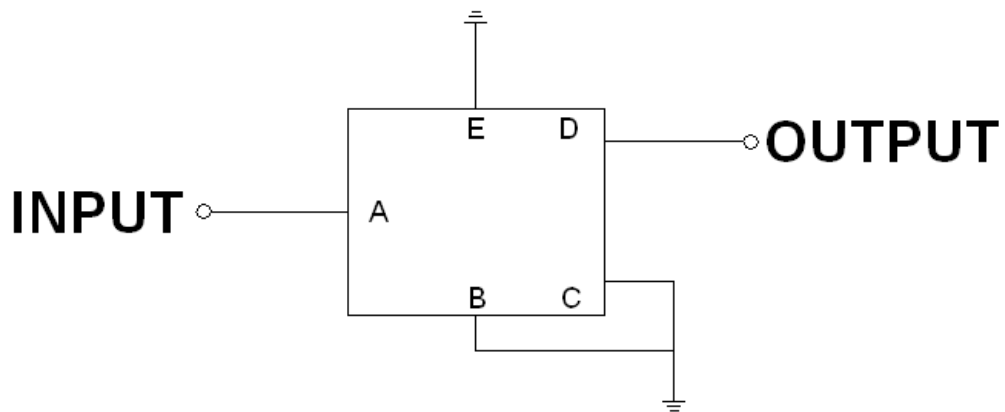
Package Dimensions



Marking Descriptions	
\overline{c}	Series Number
X	Date Code (Year+Month)

Pin Description	
B, C, E	Ground
A	Input
D	Output

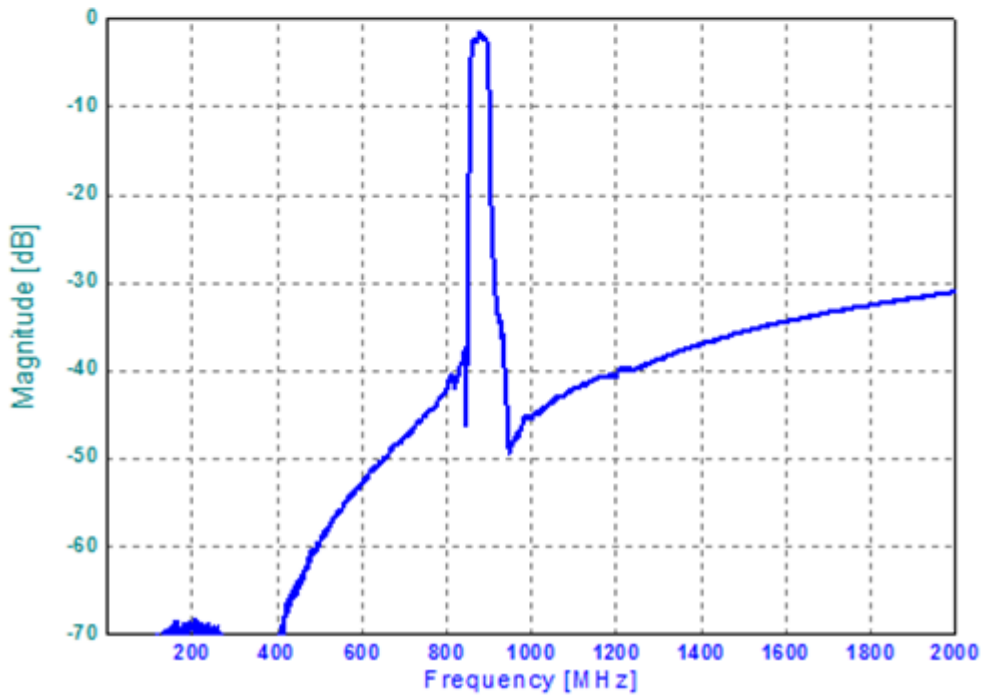
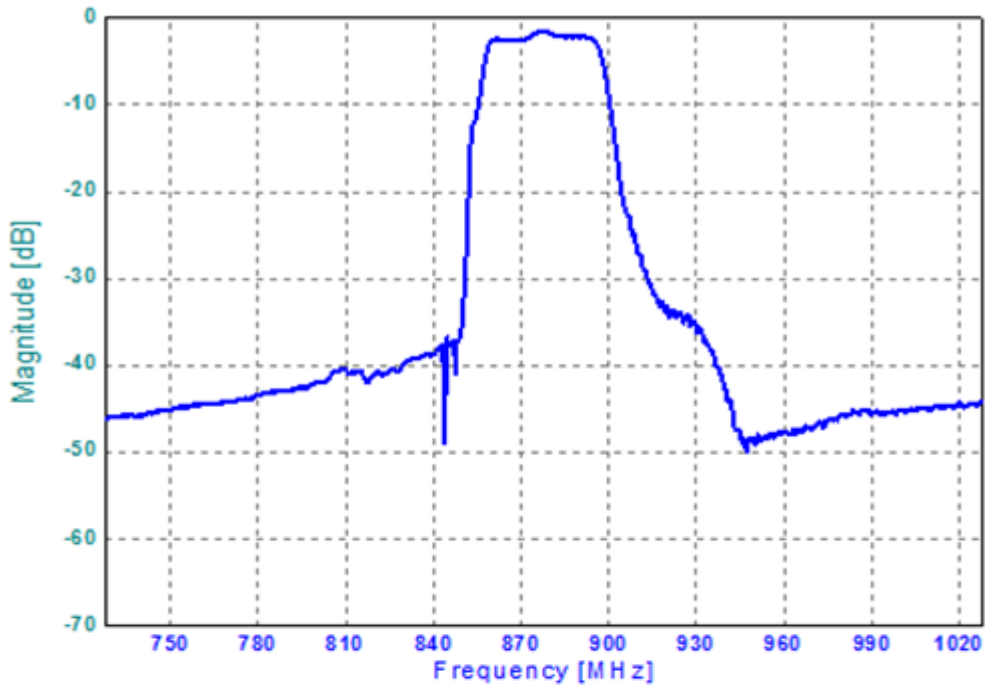
Testing Environment



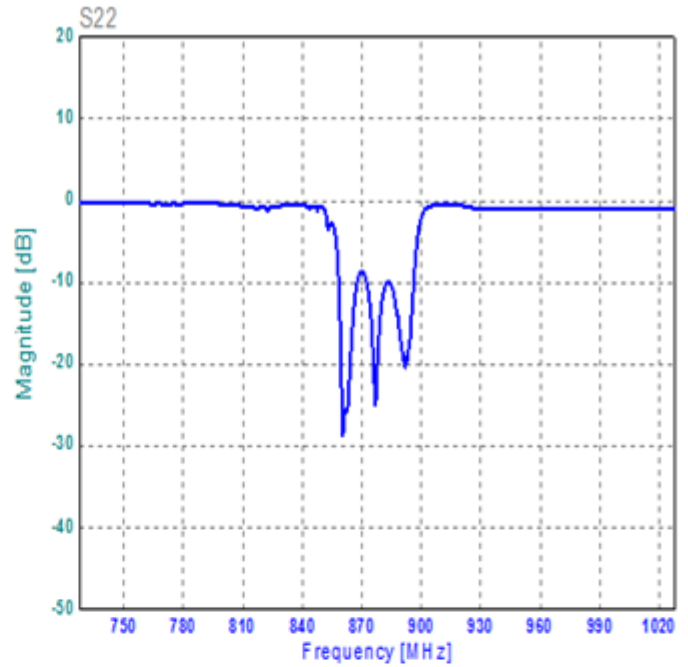
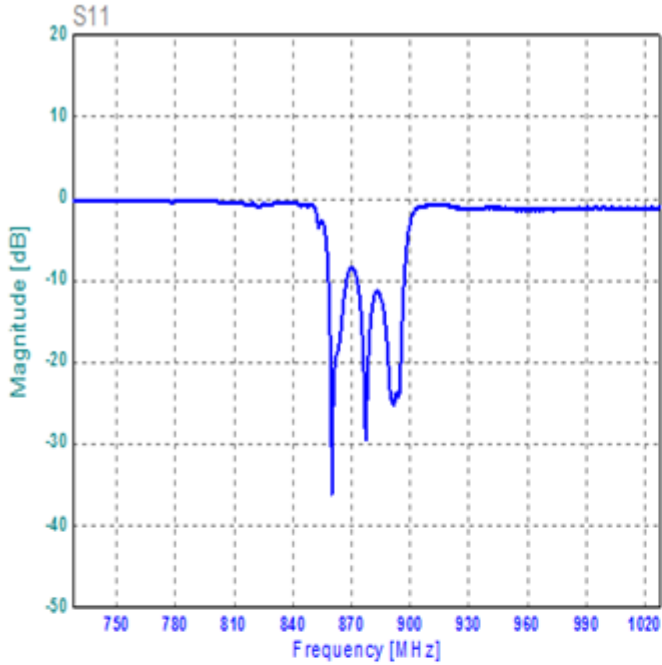
Source & Load Impedance: 50 Ω

Frequency Characteristics

Frequency Response



Return Loss



Smith Chart

